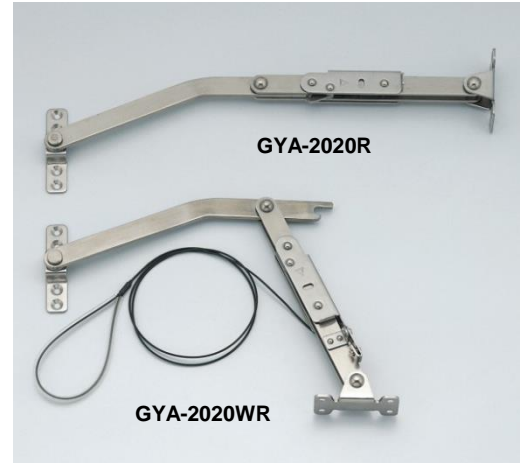


GYA-2020 Door Holder

Top opening · Upward opening · Swing door opening

Opening Direction	Item Name	Description	Lock Release Part	Tension Force	Compression Load
 Top-opening	GYA-2020 (R/L)	Locks When Fully Opened	Grip	1470 N/pc (150 kgf/pc)	588 N/pc (60 kgf/pc)
 Upward-opening					
 Swing Door	GYA-2020W (R/L)	Keeps Unlocked	Wire		

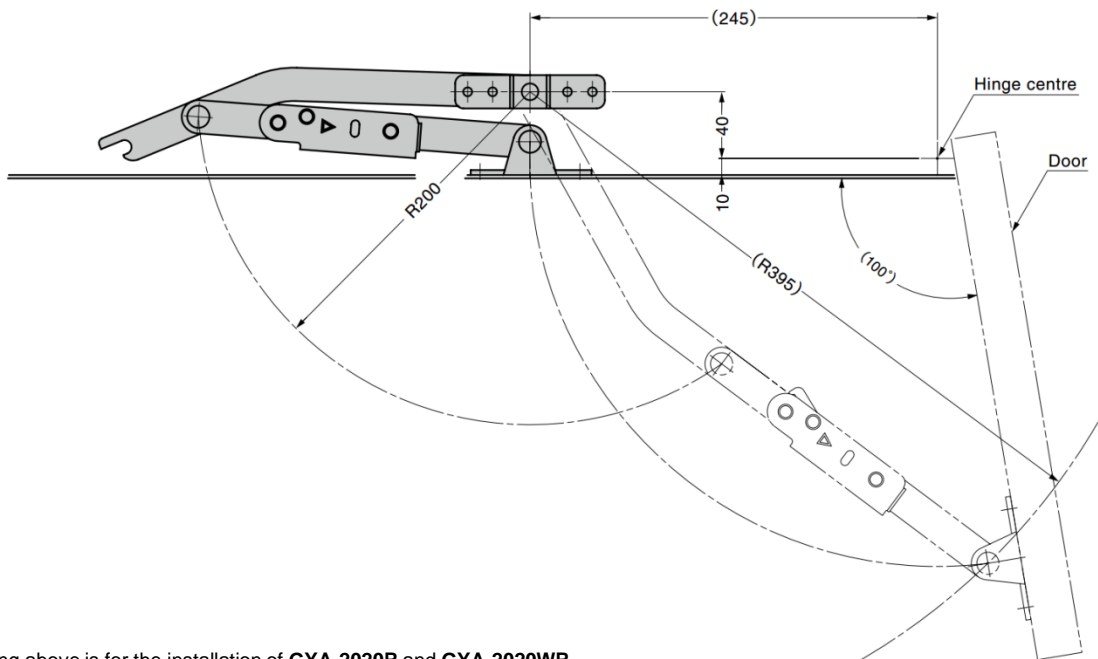


Features

- Automatically locks door when fully opened
- Slide the grip to release the lock (refer to part ③ on next page)
- Slide the grip to the end to remain unlocked
- Safe and reliable operation without closing the door while releasing the lock
- Indicator turns red when locked
- **GYA- 2020W(R/L)** (with lock release wire) available for tall application
- Possible to use 2 pcs (left and right) for top-opening door and upward-opening door

Notes

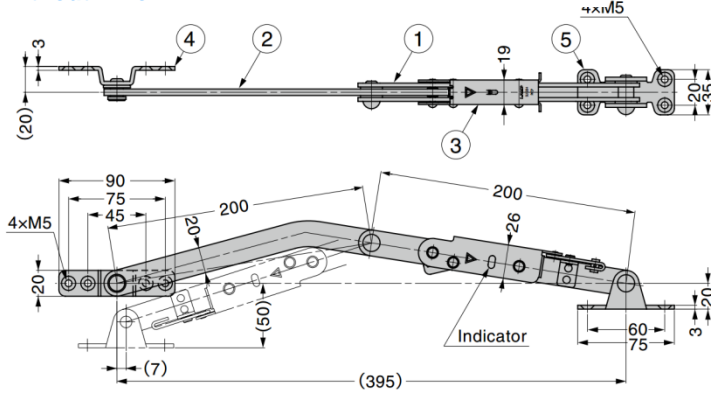
- Release the lock while supporting the door
- Opening angle and installation position change depending on the position of hinge centre
- Determine the installation position based on the hinges used and cabinet shape



Drawing above is for the installation of **GYA-2020R** and **GYA-2020WR**
This drawing shows the right-handed type seen from above. Left-handed type is symmetrical

GYA-2020 Door Holder

Without Wire

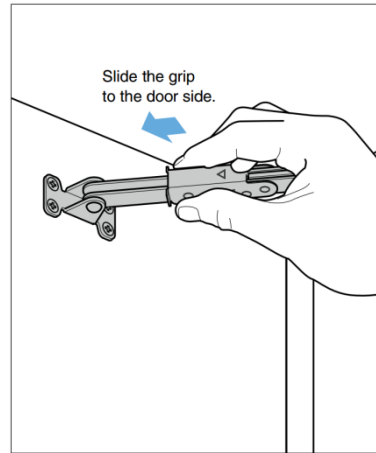


Right-handed type shown. Left-handed type is symmetrical.

No.	Part Name	Material	Finish
①	Outer Plate	Stainless Steel (SUS304)	Barrel Polished
②	Arm		
③	Slide Grip		
④	Arm Bracket		
⑤	Base Bracket		

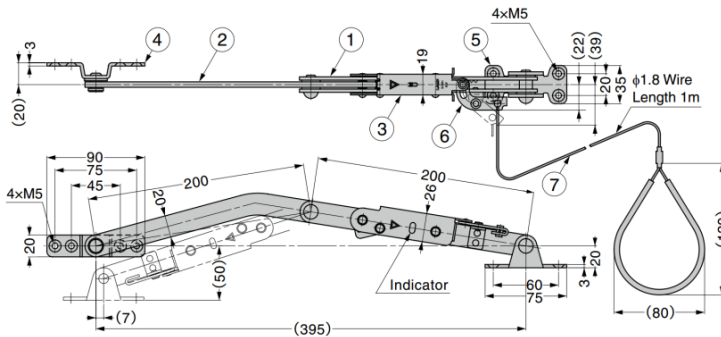
Part No.	Type	Tension Force (per piece)		Compression Load (per piece)	
GYA-2020R	Right-handed	1470 N	150 kg	588 N	60 kg
GYA-2020L	Left-handed				

Lock Release with Grip



GYA-2020W Door Holder

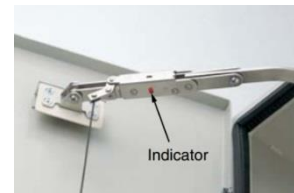
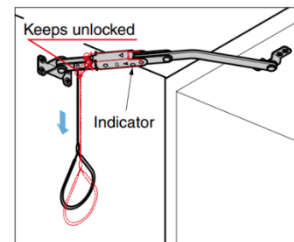
With Wire



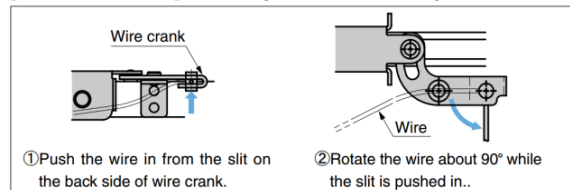
Right-handed type shown. Left-handed type is symmetrical.

No.	Part Name	Material	Finish
①	Outer Plate	Stainless Steel (SUS304)	Barrel Polished
②	Arm		
③	Slide Grip		
④	Arm Bracket		
⑤	Base Bracket		
⑥	Wire Crank		
⑦	Wire	Stainless Steel (SUS304), PA	-

Lock Release with Wire



[How to Install Wire] ※ Already installed in the stay.



Part No.	Type	Tension Force (per piece)		Compression Load (per piece)	
GYA-2020WR	Right-handed	1470 N	150 kg	588 N	60 kg
GYA-2020WL	Left-handed				